

**Description**

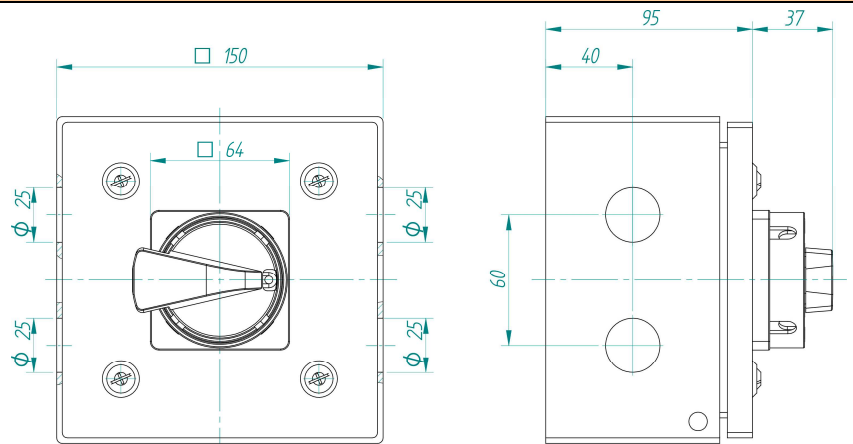
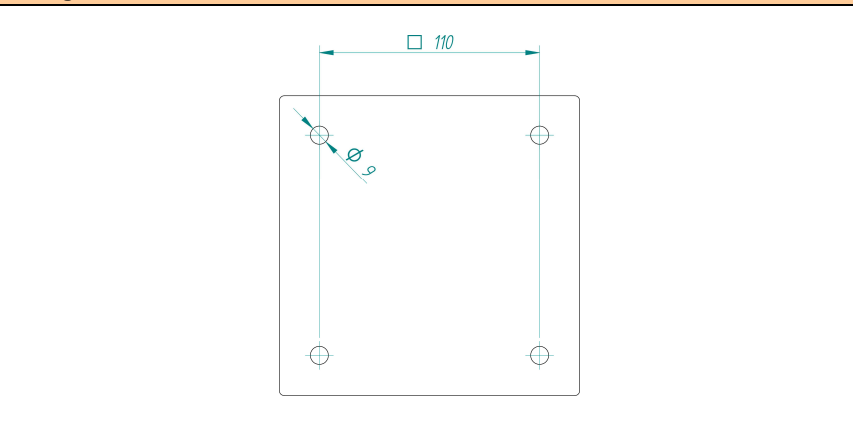
Switch 6 Phases size.1

**Current**

25 A

**Electrical Properties according EN 60947-3**

Thermic air Current	Ith A	25
Fuse protection máx. gG-aM	In A	25
Wire dimension	AWG	6
Rigid cable	mm <sup>2</sup>	6-25
Flexible cable	mm <sup>2</sup>	6-16
Torque	Nm	2
Connection screws		Pz2-M5
Terminal class		Cage
Impulse withstand voltage	Uimp kV	4
Short-circuit condicional capacity	Icc kA	6
Operational Voltage	Ue V	690
Insulation Voltage	Vac	690
Insulation Voltage	Vdc	400
Operational Current	Ie A	25

**Dimensions**

**Fixing drills**


AC21-Resistive Loads	3x230V	kW	7.5
	3x400V	kW	15
	3x500V	kW	18.5
AC22-Mixed Loads	3x230V	kW	7.5
	3x400V	kW	11
	3x500V	kW	15
AC23-Motor Loads	3x230V	kW	4
	3x400V	kW	7.5
	3x500V	kW	11

**Electric properties according UL 508 – Manual Motor Controller**

1 phase 110-120Vac	hp	2
1 phase 220-240Vac	hp	3
3 phases 220-240Vac	hp	2
3 phases 380-415Vac	hp	3
3 phases 440-480Vac	hp	5
3 phases 550-600Vac	hp	7

**Electric Scheme-diagram**

n.º de ref.	1	3	5	7	9	11	13	15
<b>406</b>	○	○	○	○	○	○	○	○
Coaxial	○	○	○	○	○	○	○	○
	2	4	6	8	10	12	14	16
	○	○	○	○	○	○	○	○
1- 0								×
2- 1	×	×	×	×	×	×		×

 Switch 6 poles 2 Positions  
2 Aux. contacts

**Manufactured and Certifications**

Manufactures and test according to European and American Standards:

 EN 60947-1: 2008  
 EN 60947-3: 2009  
 UL 508  
 EN 12101-3: 2002 (category F400)

Certifications:

CE


**Other Properties and Observations**

Padlockable in position 0 and 1

Steel enclosure IP65

Color RAL 7035