



# TECHNICAL DATASHEET

Date 04-09-19

Revision v.1

Gave Electro SL

REF: AL55341F4

Aproved by

**Description** Switch 4 Phases size.1

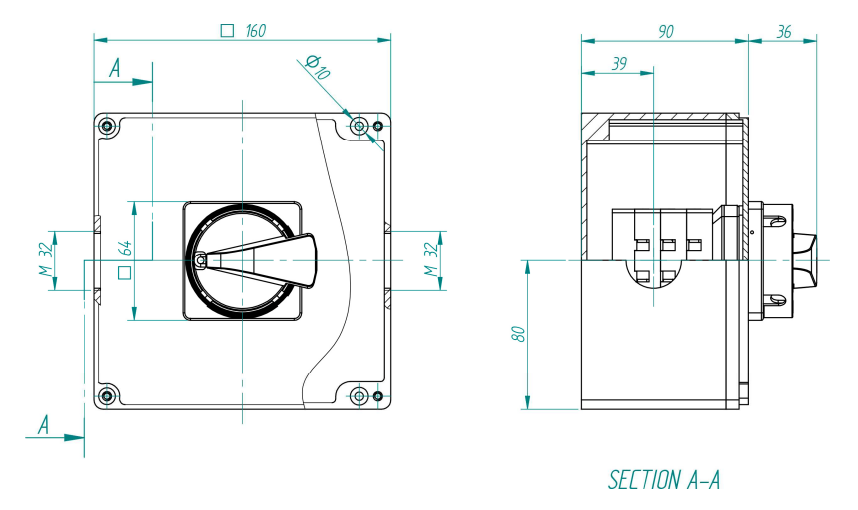
**Current** 40 A

J.Fuertes

**Electrical Properties according EN 60947-3**

**Dimensions**

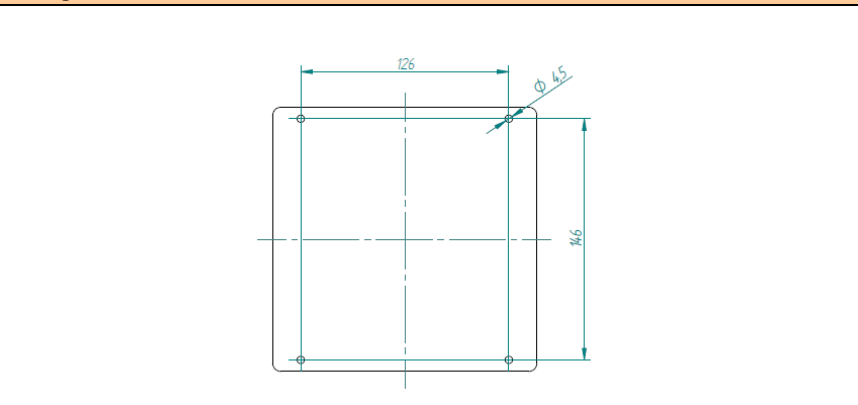
Thermic air Current	Ith A	40
Fuse protection máx. gG-aM	In A	40
Wire dimension	AWG	6
Rigid cable	mm <sup>2</sup>	6-25
Flexible cable	mm <sup>2</sup>	6-16
Torque	Nm	2
Connection screws		Pz2-M5
Terminal class		Cage
Impulse withstand voltage	Uimp kV	4
Short-circuit condicional capacity	Icc kA	6
Operational Voltage	Ue V	690
Insulation Voltage	Vac	690
Insulation Voltage	Vdc	600



**Operational Current**

**Fixing drills**

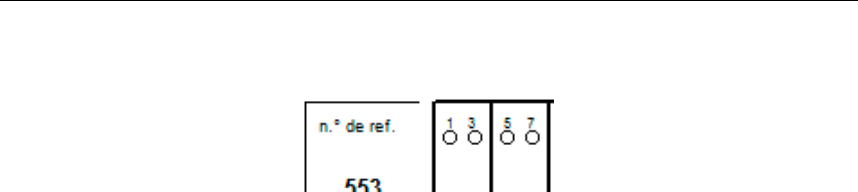
AC21-Resistive Loads	3x230V	kW	15
	3x400V	kW	22
	3x500V	kW	30
AC22-Mixed Loads	3x230V	kW	11
	3x400V	kW	22
	3x500V	kW	22
AC23-Motor Loads	3x230V	kW	7.5
	3x400V	kW	18.5
	3x500V	kW	22



**Electric properties according UL 508 – Manual Motor Controller**

**Electric Scheme-diagram**

1 phase 110-120Vac	hp	2
1 phase 220-240Vac	hp	5
3 phases 220-240Vac	hp	7,5
3 phases 380-415Vac	hp	10
3 phases 440-480Vac	hp	15
3 phases 550-600Vac	hp	20



**Manufactured and Certifications**

Manufactures and test according to European and American Standards:

EN 60947-1: 2008  
 EN 60947-3: 2009  
 UL 508  
 EN 12101-3: 2002 (category F400)

Certifications:

CE



Switch 4 poles 2 Positions

**Other Properties and Observations**

Padlockable in position 0 and 1

Aluminium Enclosure IP65

Color RAL 7040