

**Description**

Switch 4 Phases size.2

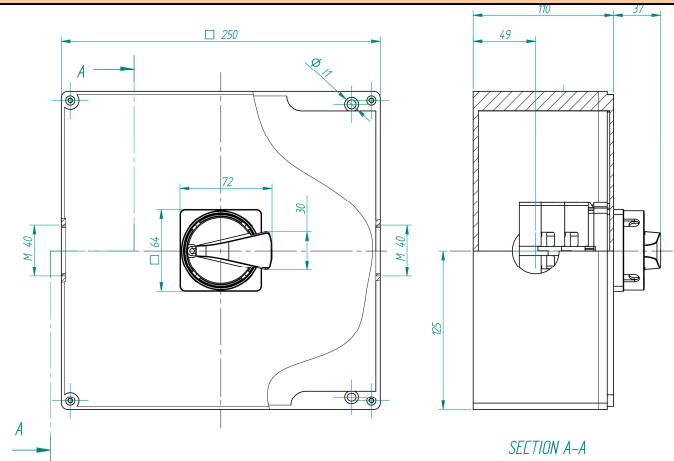
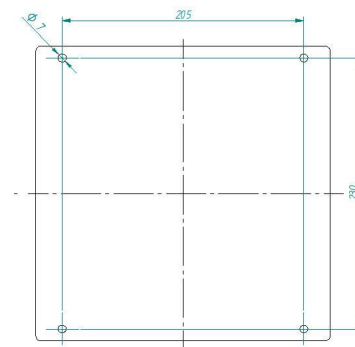
**Current**

63 A

J. Fuertes

**Electrical Properties according EN 60947-3**

Thermic air Current	Ith A	70
Fuse protection máx. gG-aM	In A	63
Wire dimension	AWG	6-1
Rigid cable	mm <sup>2</sup>	16-50
Flexible cable	mm <sup>2</sup>	16-50
Torque	Nm	3.5
Connection screws		Pz3-M8
Terminal class		Cage
Impulse withstand voltage	Uimp kV	4
Short-circuit condicional capacity	Icc kA	8
Operational Voltage	Ue V	690
Insulation Voltage	Vac	690
Insulation Voltage	Vdc	600
Operational Current	Ie A	63

**Dimensions**

**Fixing drills**

**Electric properties according UL 508 – Manual Motor Controller**

1 phase 110-120Vac	hp	5
1 phase 220-240Vac	hp	10
3 phases 220-240Vac	hp	15
3 phases 380-415Vac	hp	25
3 phases 440-480Vac	hp	30
3 phases 550-600Vac	hp	32

**Electric Scheme-diagram**

n.º de ref.	1	3	5	7	9	11
<b>403</b>	○	○	○	○	○	○
Coaxial	2	4	6	8	10	12
	○	○	○	○	○	○
1- 0					×	
2- 1	×	×	×	×		×

 Switch 4 phases 2 positions  
2 Aux. contacts

**Manufactured and Certifications**

Manufactures and test according to European and American Standards:

 EN 60947-1: 2008  
 EN 60947-3: 2009  
 UL 508  
 EN 12101-3: 2002 (category F400)

Certifications:

CE


**Other Properties and Observations**

Padlockable in position 0 and 1

Aluminium Enclosure IP65

Color RAL 7040