

Description

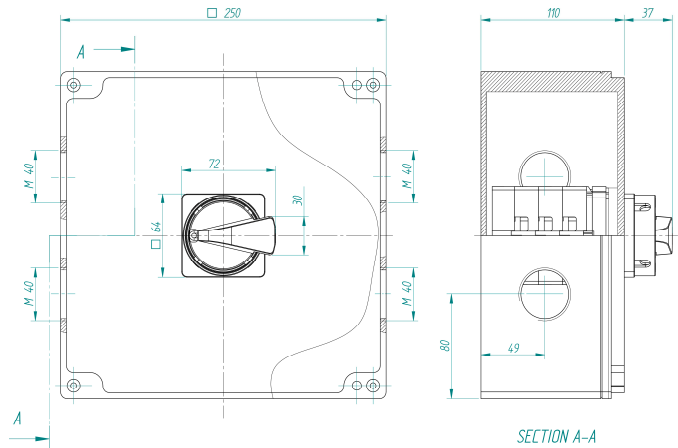
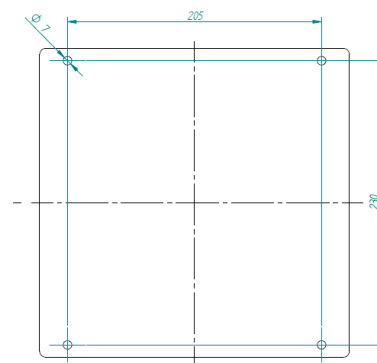
Switch 6 Phases size.2

Current

63 A

Electrical Properties according EN 60947-3

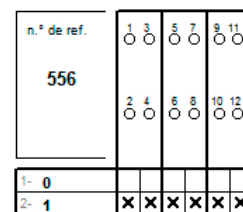
Thermic air Current	Ith A	70
Fuse protection máx. gG-aM	In A	63
Wire dimension	AWG	6-1
Rigid cable	mm ²	16-50
Flexible cable	mm ²	16-50
Torque	Nm	3.5
Connection screws		Pz3-M8
Terminal class		Cage
Impulse withstand voltage	Uimp kV	4
Short-circuit condicional capacity	Icc kA	8
Operational Voltage	Ue V	690
Insulation Voltage	Vac	690
Insulation Voltage	Vdc	600
Operational Current	Ie A	63

Dimensions

Fixing drills


AC21-Resistive Loads	3x230V	kW	22
	3x400V	kW	37
	3x500V	kW	45
AC22-Mixed Loads	3x230V	kW	22
	3x400V	kW	30
	3x500V	kW	37
AC23-Motor Loads	3x230V	kW	15
	3x400V	kW	22
	3x500V	kW	30

Electric properties according UL 508 – Manual Motor Controller

1 phase 110-120Vac	hp	5
1 phase 220-240Vac	hp	10
3 phases 220-240Vac	hp	15
3 phases 380-415Vac	hp	25
3 phases 440-480Vac	hp	30
3 phases 550-600Vac	hp	32

Electric Scheme-diagram


Switch 6 phases 2 positions

Manufactured and Certifications

Manufactures and test according to European and American Standards:

 EN 60947-1: 2008
 EN 60947-3: 2009
 UL 508
 EN 12101-3: 2002 (category F400)

Certifications:

CE


Other Properties and Observations

Padlockable in position 0 and 1

Aluminium Enclosure IP65

Color RAL 7040