



TECHNICAL DATASHEET

Date 27-09-18

Revision v.2

Gawe Electro SL

REF: AL55271F4

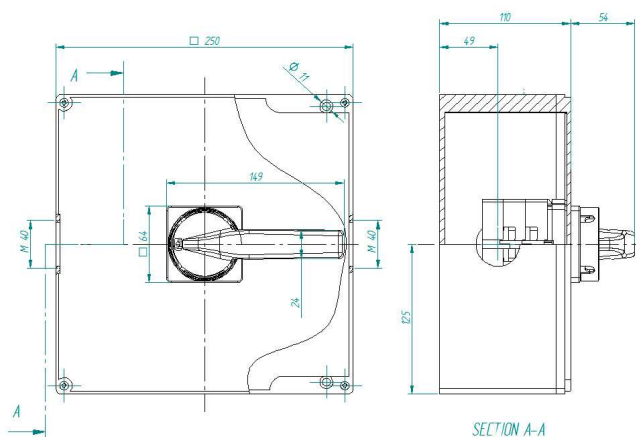
Aproved by

Description Switch 3 Phases size.2**Current** 100 A

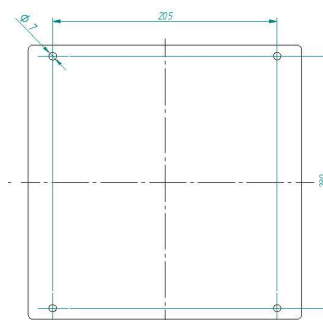
J. Fuertes

Electrical Properties according EN 60947-3

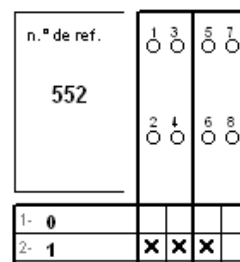
Thermic air Current	Ith A	100
Fuse protection máx. gG-aM	In A	125
Wire dimension	AWG	6-1
Rigid cable	mm ²	16-50
Flexible cable	mm ²	16-50
Torque	Nm	3.5
Connection screws		Pz3-M8
Terminal class		Cage
Impulse withstand voltage	Uimp kV	4
Short-circuit condicional capacity	Icc kA	8
Operational Voltage	Ue V	690
Insulation Voltage	Vac	690
Insulation Voltage	Vdc	600
Operational Current	Ie A	100

Dimensions

AC21-Resistive Loads	3x230V	kW	37
	3x400V	kW	55
	3x500V	kW	75
AC22-Mixed Loads	3x230V	kW	30
	3x400V	kW	45
	3x500V	kW	55
AC23-Motor Loads	3x230V	kW	18.5
	3x400V	kW	30
	3x500V	kW	37

Fixing drills**Electric properties according UL 508 – Manual Motor Controller**

1 phase 110-120Vac	hp	10
1 phase 220-240Vac	hp	15
3 phases 220-240Vac	hp	25
3 phases 380-415Vac	hp	30
3 phases 440-480Vac	hp	40
3 phases 550-600Vac	hp	50

Electric Scheme-diagram

Switch 3 phases 2 positions

Manufactured and Certifications

Manufactures and test according to European and American Standards:

EN 60947-1: 2008
 EN 60947-3: 2009
 UL 508
 EN 12101-3: 2002 (category F400)

Certifications:

CE

**Other Properties and Observations**

Padlockable in position 0 and 1

Aluminium Enclosure IP65

Color RAL 7040