



TECHNICAL DATASHEET

Date

19-06-18

Revision

v.1

Gawe Electro SL

REF: AL55391F4-G

Aproved by

J. Fuertes

Description

Switch 4 Phases size.2

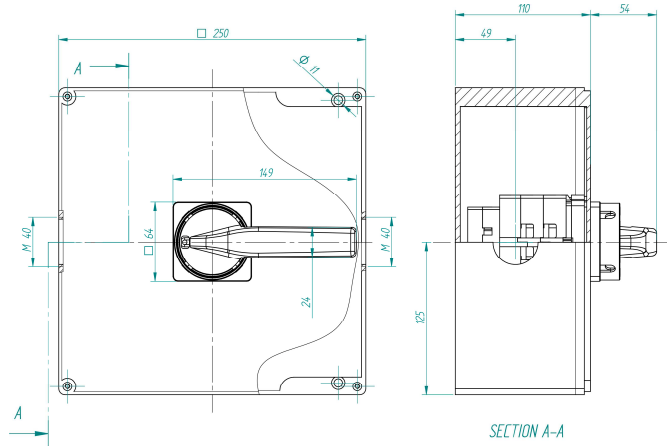
Current

125 A

Electrical Properties according EN 60947-3

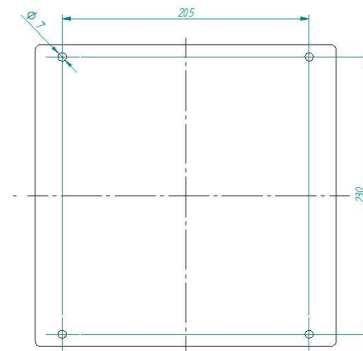
Dimensions

Thermic air Current	Ith A	125
Fuse protection máx. gG-aM	In A	125
Wire dimension	AWG	6-1
Rigid cable	mm ²	16-50
Flexible cable	mm ²	16-50
Torque	Nm	3.5
Connection screws		Pz3-M8
Terminal class		Cage
Impulse withstand voltage	Uimp kV	4
Short-circuit condicional capacity	Icc kA	8
Operational Voltage	Ue V	690
Insulation Voltage	Vac	690
Insulation Voltage	Vdc	600
Operational Current	Ie A	125



Fixing drills

AC21-Resistive Loads	3x230V	kW	37
	3x400V	kW	75
	3x500V	kW	90
AC22-Mixed Loads	3x230V	kW	30
	3x400V	kW	55
	3x500V	kW	75
AC23-Motor Loads	3x230V	kW	18,5
	3x400V	kW	37
	3x500V	kW	45



Electric properties according UL 508 – Manual Motor Controller

Electric Scheme-diagram

1 phase 110-120Vac	hp	10
1 phase 220-240Vac	hp	15
3 phases 220-240Vac	hp	25
3 phases 380-415Vac	hp	30
3 phases 440-480Vac	hp	40
3 phases 550-600Vac	hp	50

Manufactured and Certifications

Manufactures and test according to European and American Standards:

- EN 60947-1: 2008
- EN 60947-3: 2009
- UL 508
- EN 12101-3: 2002 (category F400)

Certifications:

CE



Other Properties and Observations

Padlockable in position 0 and 1

Aluminium Enclosure IP65

Color RAL 7040

n.º de ref.	1	3	5	7	9	11
403	○	○	○	○	○	○
Coaxial	○	○	○	○	○	○
2- 0						×
2- 1	×	×	×	×		×

Switch 4 phases 2 positions
2 aux. contacts