



TECHNICAL DATASHEET

Date

04-09-19

Revision

v.1

Gave Electro SL

REF: AL553C1F4-G

Aproved by

J.Fuertes

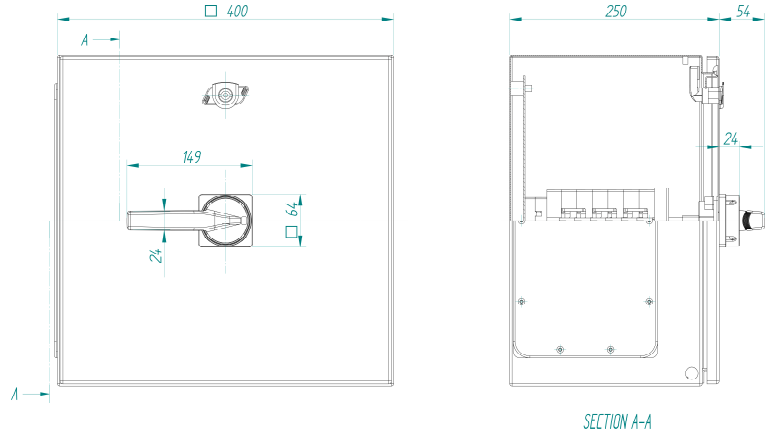
Description Switch 4 Phase size.2

Current 250 A

Electrical Properties according EN 60947-3

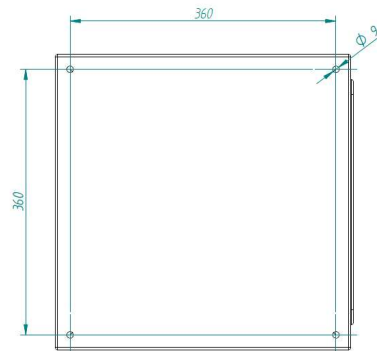
Dimensions

Thermic air Current	Ith A	250
Fuse protection máx. gG-Am	In A	250
Wire dimensión	AWG	-
Rigid cable	mm ²	120
Flexible cable	mm ²	120
Torque	Nm	12
Connection screws		M8
Terminal class		Tubular
Impulse withstand voltage	Uimp kV	4
Short-circuit condicional capacity	Icc kA	-
Operational Voltage	Ue V	690
Insulation Voltage	Vac	690
Insulation Voltage	Vdc	600
Operational Current	Ie A	250



Fixing drills

AC21-Resistive Loads	3x230V	kW	75
	3x400V	kW	132
	3x500V	kW	160
AC22-Mixed Loads	3x230V	kW	55
	3x400V	kW	110
	3x500V	kW	132
AC23-Motor Loads	3x230V	kW	-
	3x400V	kW	-
	3x500V	kW	-



Electric properties according UL 508 – Manual Motor Controller

Electric Scheme-diagram

1 phase 110-120Vac	hp	-
1 phase 220-240Vac	hp	-
3 phases 220-240Vac	hp	-
3 phases 380-415Vac	hp	-
3 phases 440-480Vac	hp	-
3 phases 550-600Vac	hp	-

Manufactured and Certifications

Manufactures and test according to European and American Standards:

EN 60947-1: 2008
 EN 60947-3: 2009
 EN 12101-3: 2002 (category F400)

Certifications:

CE



n.º de ref.	1	3	5	7	9	11
403	○	○	○	○	○	○
Coaxial	○	○	○	○	○	○
2	○	○	○	○	○	○
1- 0					X	
2- 1	X	X	X	X		X

Switch 4 phase 2 positions
 2 Aux.contacts

Other Properties and Observations

Padlockable in position 0 and 1

Steel Enclosure IP65

Color RAL 7035