

RJ45 Keystone coupler
 shielded, Category 6 Link / Class E, 180 degree (straight)



RJ45 Keystone Coupler (RJ45-RJ45), 180°, straight

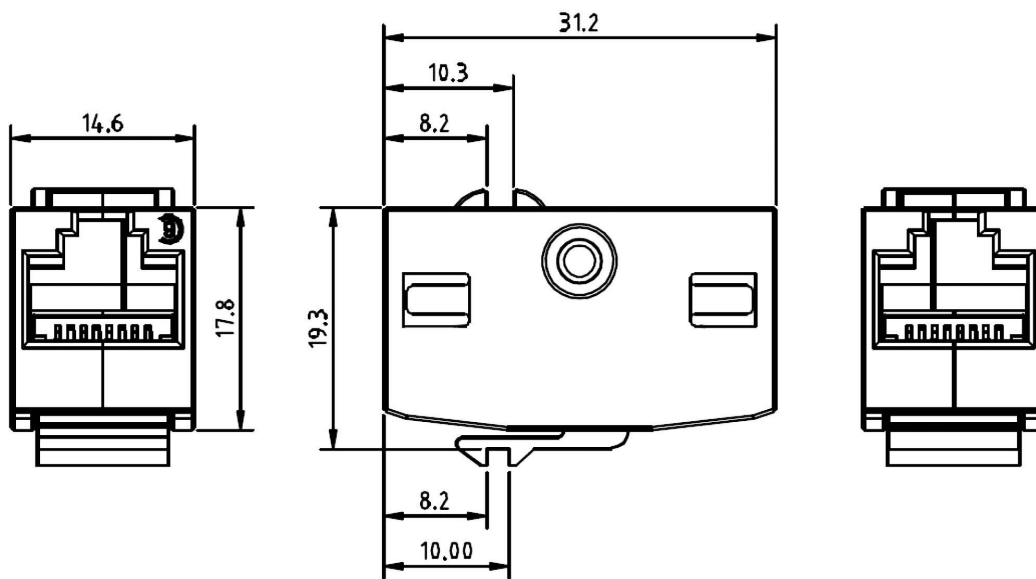


DESCRIPTION

Suitable for setting up Consolidation Points and cross-connect wirings.
 For the transmission of all digital and analogue applications up to Cat.6 (Link) / Class E in accordance with ISO/IEC 11801, EN 50173-1 and EIA/TIA 568-B.2-10.

- Compact zinc die casting housing
- Small depth
- Straight design (180 degrees)
- With keystone fixing applicable e.g. in patch panel KS 24x

DESIGN



Straight design (180 degrees)

STANDARDS

EMC	shielded
Cat./Class	Cat.6 / Class E
Standards	IEC 60603-7-5 (Cat.6 shielded, 250 MHz) ISO/IEC 11801:2002 / Amd.2:2010 EN 50173-1:2011 TIA/EIA 568-B.2-10:2008

VERSIONS

Article No.	Product	Colour	PU
418056	RJ45 Keystone Coupler, Cat.6 Link/Class E, 180 degree (straight)	silver	1 pc.